

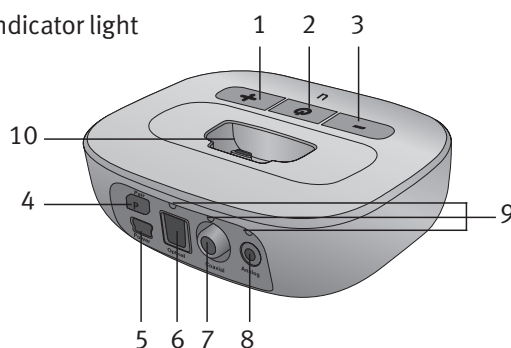
uTV 3

Technical data

Difficulty hearing the television is a common problem for those with hearing loss, and can be a source of irritation for their loved ones when the TV volume must be turned up uncomfortably high. Now there's a solution that makes hearing the TV enjoyable for everyone again. Together with uDirect™ 3 or uStream, uTV™ 3 delivers exceptionally high-quality stereo sound directly to the hearing instruments, to meet the listening needs of those with hearing loss along with everyone else in the family.

Description

- 1 Volume up (+) button
- 2 Power on/off button and main indicator light
- 3 Volume down (-) button
- 4 Pairing (P) button
- 5 Power supply
- 6 Digital audio (optical)
- 7 Digital audio (coaxial)
- 8 Analog audio (3.5 mm)
- 9 Audio indicator lights
- 10 Exchangable charging slot



Special features

- Compatible with uDirect 3, uDirect 2 and uStream
- Exchangeable charging slot for streamers
- Up to 30 meters (100 ft.) transmission range
- Complete set with power plug and cables
- No line of sight to hearing instruments necessary
- Support of digital audio signals
- Automatic selection of input signal
- Test sound generation option
- Digital volume adjustment with audio-visual feedback

General information

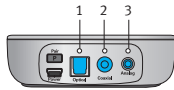
Dimensions (LxWxH):	101 x 77 x 30 mm (4.2 x 3.2 x 1.3 inches)
Weight:	100 g
Color:	Cashmere silver
Operating conditions:	-10° C to 55° C (14° F to 131° F) relative humidity of <95% (non condensing)
Storage & transportation conditions:	-20° to 60° C (-4° F to 140° F) relative humidity of 90% for a long period of time

Power supply

Type:	DC, stabilized
Secondary voltage:	5 VDC
Operating current:	500 mA
Plug:	Mini-USB
Important notice:	Only use the original Unitron power supply or a USB certified power supply 5 VDC, ≥ 500 mA

Audio information

Audio inputs:	Analog (3.5 mm plug) Digital optical (Toslink) Digital coaxial (SPDIF)
Audio quality:	Stereo / 22 kHz sample frequency
Priorities:	1. Optical 2. Coaxial 3. Analog



Radio information

Bluetooth® profiles:	A2DP, Advanced Audio Distribution Profile Optimized for use with Unitron streamers Compatibility with non-Unitron devices is not guaranteed
Frequency range:	2402.0 to 2480.0 MHz
RF power:	100 mW max. (10 mW max. for Japan/Korea version)
Transmission range to Unitron streamer:	Up to 30 m (100 ft.)
Bluetooth compliance:	Bluetooth version 3.0, Class 1
Max. paired devices:	4
QDID:	B018562

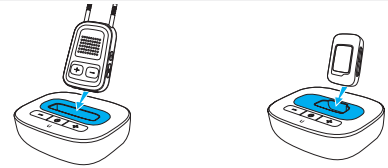
Indicator light

Switched on	Solid green	
Streaming	Solid blue	
Pause mode	Blue blink	
Pairing mode	Rapid blue blinking	
On but no audio input	Green blink	
Test mode	Multi-colored blink	

Compatibility

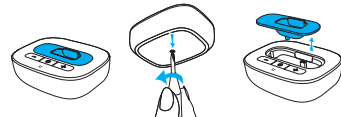
Make sure the following combination is used:

Streamer:	uDirect 3/uDirect 2	uStream
Charging slot:	Large	Small

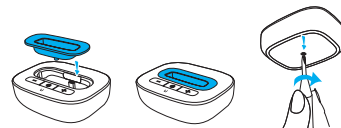


The uTV 3 is delivered with the charging slot for the uStream clip-on streamer. If you have uDirect 3 or uDirect 2, change the slot using a Phillips head screwdriver.

Unscrew the bottom screw
Lift the charging slot as shown



Insert the other slot completely.
Insert and gently tighten the screw



Bluetooth pairing information

uTV 3	Switch on first Press the pairing button on the back	
uDirect 3 / uDirect 2	Switch on first Press and hold the connect and volume up buttons at the same time for 2 seconds	
uStream	Press the volume up button and hold while switching on	

Standards applied

Europe	EN 300 328 EN 301 489 EN 60950-1 IEC/EN 62311
USA	CFR 47, part 15 FCC OET Bulletin No.65
Canada	RSS-210 Issue 8 RSS-102 Issue 4
Japan	ARIB-T66



The Bluetooth® word mark and logos are registered trademarks owned by Bluetooth SIG, Inc. and any use of such marks by Unitron is under license. Other trademarks and trade names are those of their respective owners